

Innova™ FCL Mobile

Fast-Resettable Fault Current Limiter

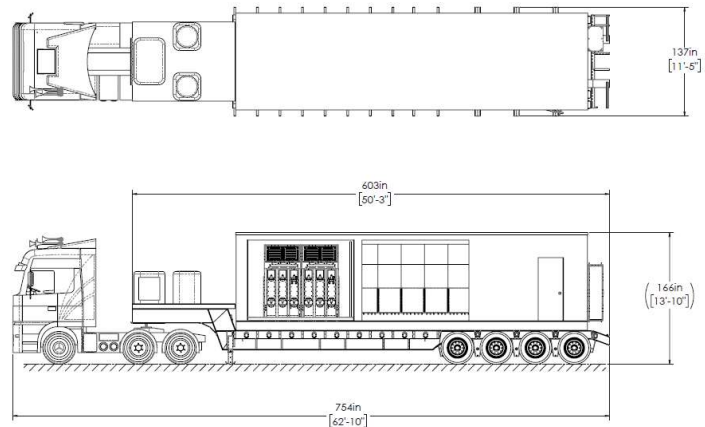
emPowering Energy

Benefits

- **Improved AC Network Resilience**
 - Fast-resettable recover after fault clearing
 - Faster than mechanical solution ($\leq 100 \mu\text{s}$ response time)
 - Dynamic limiting & recovery
- **Improved Capacity Utilization**
 - Reduces risk of single point and cascading T&D damage
 - Incremental fault current reduction
 - Proven technology
- **Fast Return On Investment (ROI)**
 - Lower upfront cost vs. network upgrade
 - Low maintenance
 - Environmentally clean

Applications

- Utility T&D Protection
- Increasing Capacity In Existing Networks
- Eliminating Power System Upgrades
- Maximizing Capacity Utilization
- Bus ties, Feeders and Renewable/Dist. Gen. Interfacing
- Smart & Micro Grids



Description

Silicon Power's Innova™ FCL Mobile (Fast-Resettable Fault Current Limiter) is quickly deployable and provides the fastest and most cost effective solution to improve the resilience and capacity utilization of your MV/HV AC network. Resettable capability provides faster recover after fault clearing as well as no replacement parts required after fault limiting operation.

This portable power quality solution detects power quality issues and fault current scenarios, and automatically transfers the line through a current limiting, inductive reactive element in less than $\leq 100 \mu\text{s}$, mitigating fault current damages and down time.

The Innova FCL Mobile is designed for medium and high voltage (MV/HV) power applications in transmission and distribution networks; enabling more resilient power.

Topologies

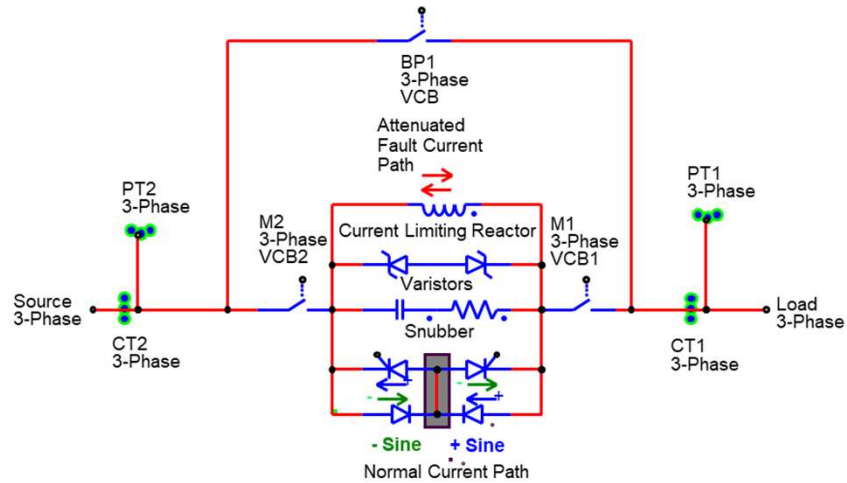
- Transmission Feed Side
- Distribution Feed Side

Innova FCL Mobile

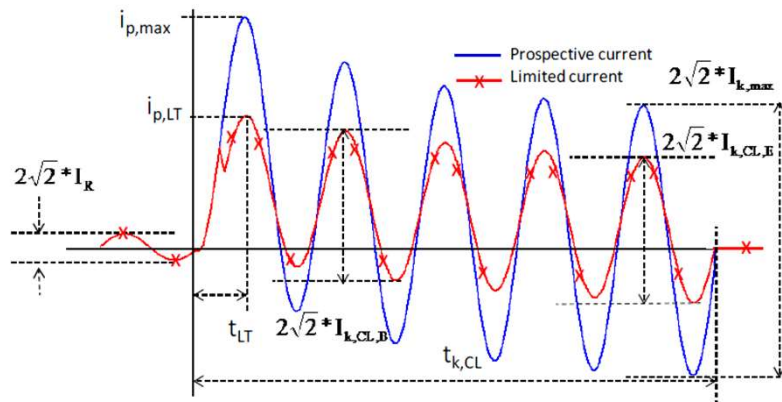
Fast-Resettable Fault Current Limiter



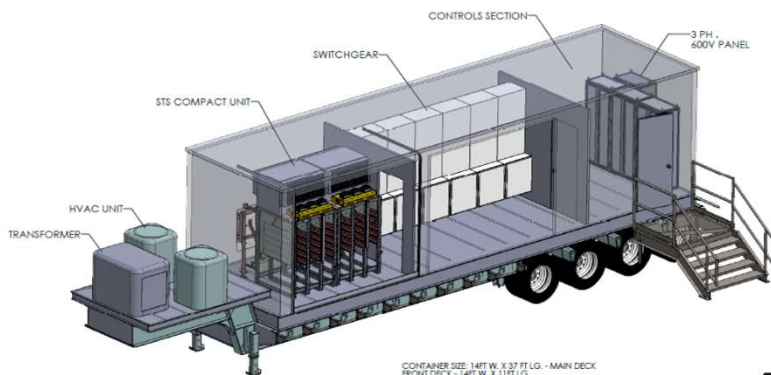
Technical / Configuration Information (Single-Line Diagram)



Performance Characteristics



Mobile Layout



CONTAINER SIZE: 14FT W. X 37 FT LG. - MAIN DECK
FRONT DECK: 14FT W. X 11 FT LG.
FLAT BED TRAILER, SINGLE DROP DECK

SILICON POWER
www.siliconpower.com

Silicon Power Corporation
Corporate Headquarters
280 Great Valley Parkway
Malvern, PA 19355-1308
610.407.4700