

# Innova™ FCL

Fast-Resettable Fault Current Limiter

*emPowering Energy*

## Benefits

- **Improved AC Network Resilience**
  - Fast-resettable recover after fault clearing
  - Faster than mechanical solution ( $\leq 100 \mu\text{s}$  response time)
  - Dynamic limiting & recovery
- **Improved Capacity Utilization**
  - Reduces risk of single point and cascading T&D damage
  - Incremental fault current reduction
  - Proven technology
- **Fast Return On Investment (ROI)**
  - Lower upfront cost vs. network upgrade
  - Low maintenance
  - Environmentally clean

## Applications

- Utility T&D Protection
- Increasing Capacity In Existing Networks
- Eliminating Power System Upgrades
- Maximizing Capacity Utilization
- Bus ties, Feeders and Renewable/Dist. Gen. Interfacing
- Smart & Micro Grids



## Description

Silicon Power's Innova™ FCL (Fast-Resettable Fault Current Limiter) provides the fastest and most cost effective solution to improve the resilience and capacity utilization of your MV/HV AC network. Resettable capability provides faster recover after fault clearing as well as no replacement parts required after fault limiting operation.

The Innova FCL detects power quality issues and fault current scenarios, and automatically transfers the line through a current limiting, inductive reactive element in less than  $\leq 100 \mu\text{s}$ , mitigating fault current damages and down time.

The Innova FCL is designed for medium and high voltage (MV/HV) power applications in transmission and distribution networks; enabling more resilient power.

## Topologies

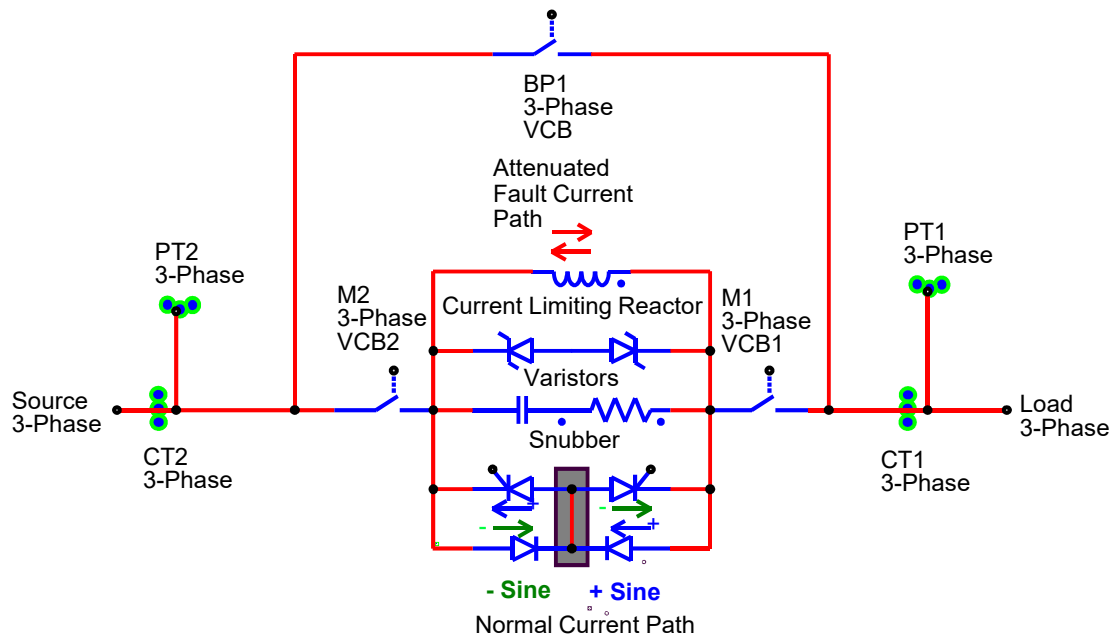
- Transmission Feed Side
- Distribution Feed Side

# Innova FCL

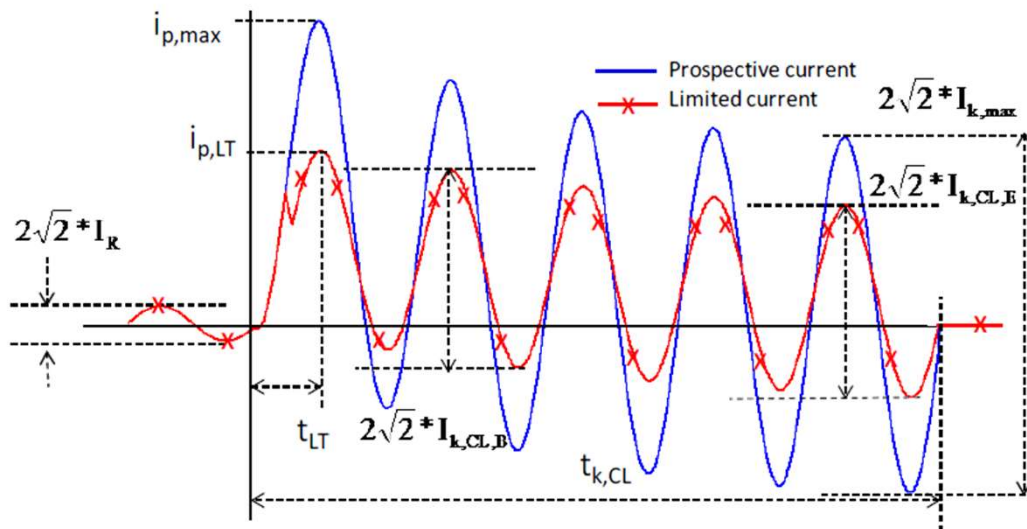
Fast-Resettable Fault Current Limiter



## Technical / Configuration Information (Single-Line Diagram)



## Performance Characteristics



SILICON POWER  
www.siliconpower.com

Silicon Power Corporation  
Corporate Headquarters  
280 Great Valley Parkway  
Malvern, PA 19355-1308  
610.407.4700